



DVB-T ANTENNA

Antenna DVB-T Magnet Mount 05,
3C2V/3.5m, IEC

AO-ADVBT-05P

SECTRON company offers a wide portfolio of DVB-T antennas with various versions differing in shape, level of gain and manner of attachment. SECTRON guarantees a compatible connection between an antenna and all antenna adaptors produced by SECTRON.

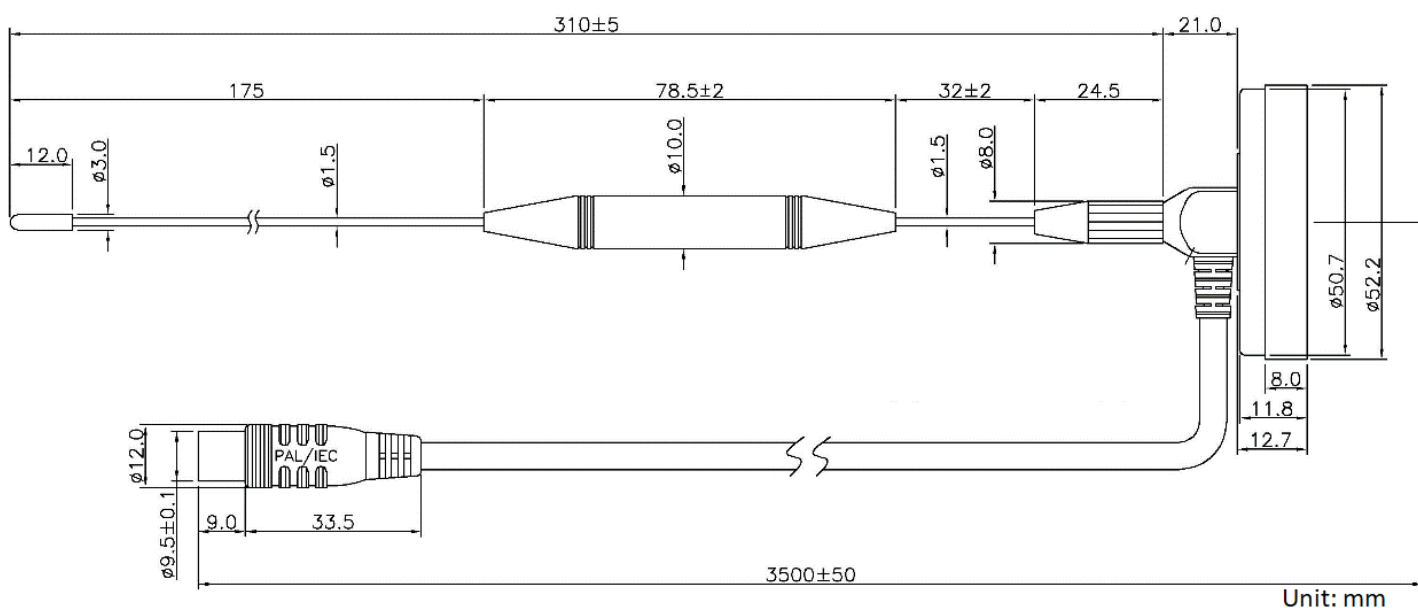
BENEFITS

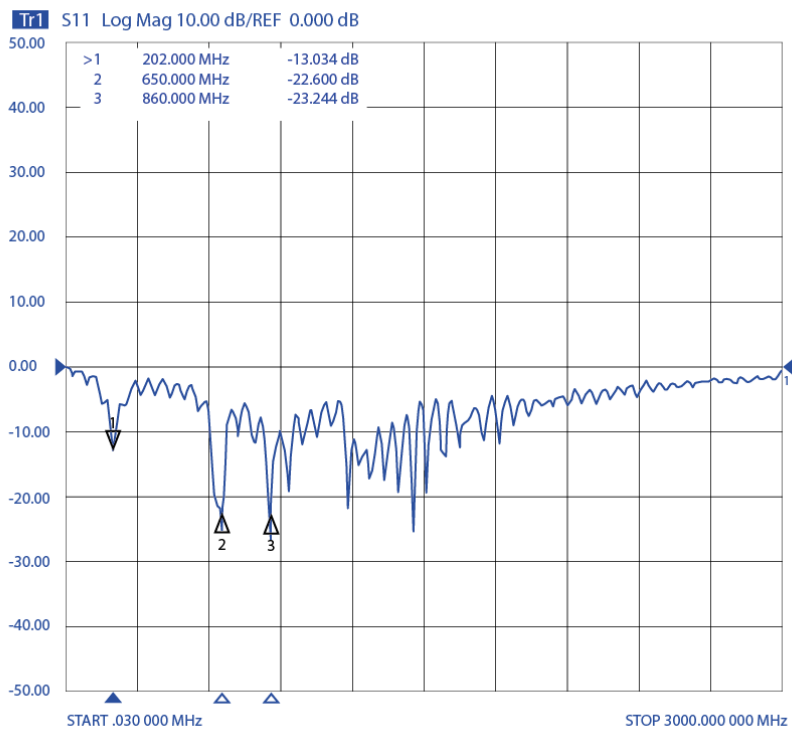
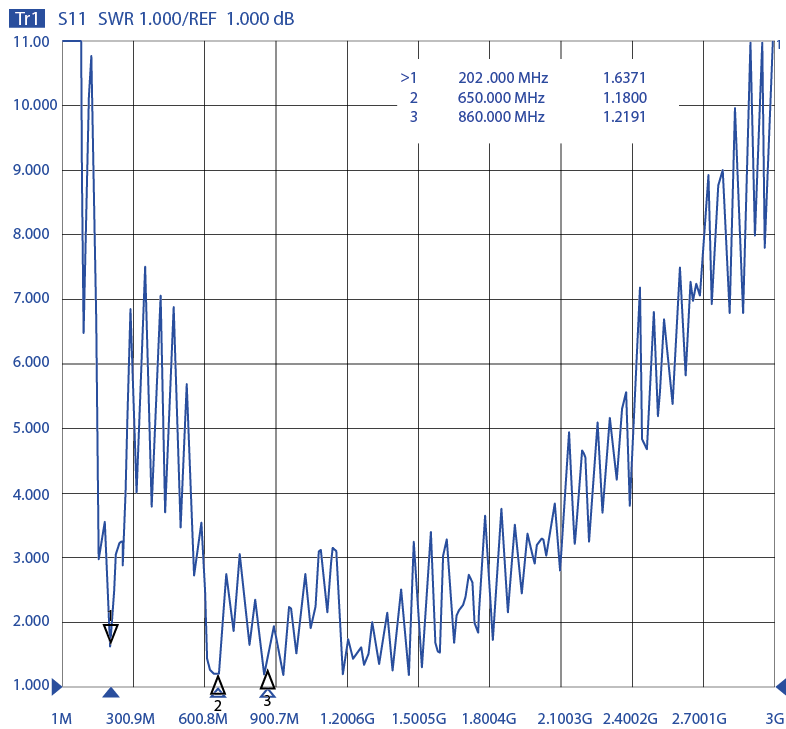
- Low VSWR
- Easy installation



Technology	DVB-T/ DVB-T2
Frequency bands	174-230, 470-864 MHz
Bandwidth	-
Gain	3 dBi
VSWR	<1.7:1
Impedance	75 Ohm
Directivity	Omnidirectional
Beam angle	H 360° V 30°
Polarization	Vertical
Maximum input power	10W
Power voltage	-
Dimensions	∅ 52.5 x 343.7 mm
Weight	225 g
Operating temperature	-40 to +85 °C
Execution	External
Method of attachment	Magnet Mount
Cable type	3C2V
The cable length	3.5 m
Connector type	IEC

DRAWING





ALL VARIANTS

AO-ADVBT-05P

Different connector variants or cable lengths are available on request.

CONTACTS

SECTRON s.r.o. Josefa Šavla 1271/12
709 00 Ostrava 9, Czech Republic

WWW.SECTRON.CZ
Tel.: +420 556 621 020