



WiFi ANTENNA

Antenna WiFi Connector Mount SRPK2,
2.4 GHz, 2.3 dBi, RP-SMA(pin f)

AW-A24G-SRPK2

SECTRON company offers a wide portfolio of WiFi antennas with various versions differing in shape, level of gain and manner of attachment. SECTRON guarantees a compatible connection between an antenna and all antenna adaptors produced by SECTRON.



BENEFITS

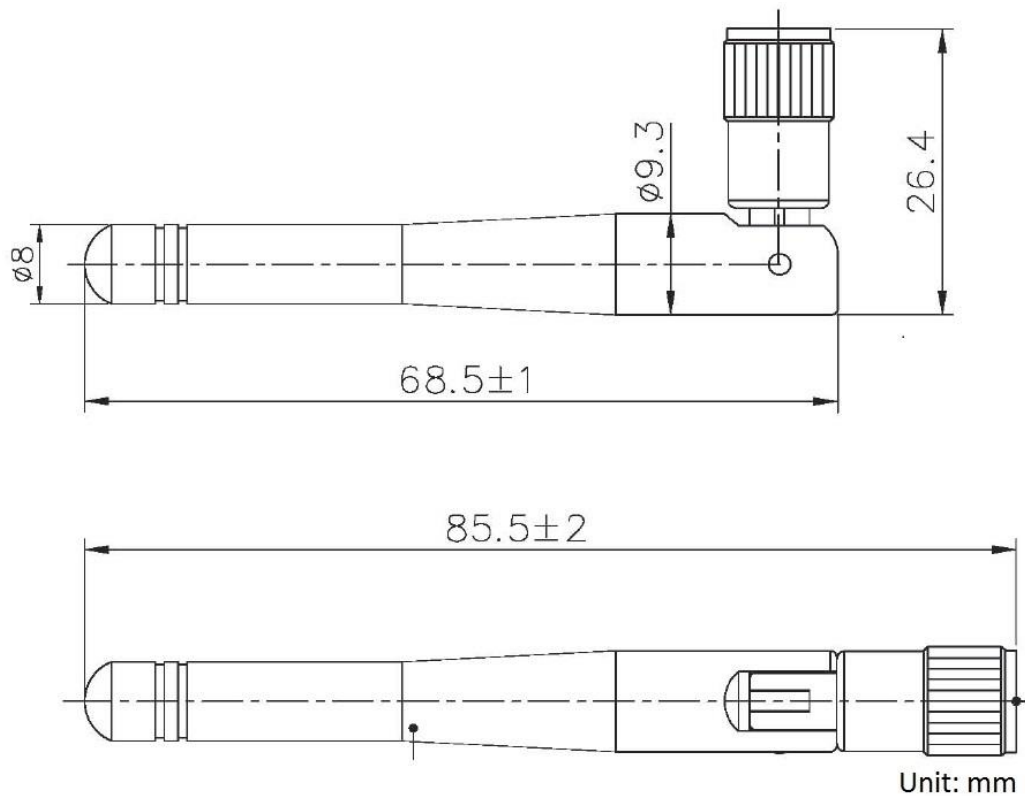
- Low VSWR
- No cable required

FEATURES

AW-A24G-SRPK2

Technology	WiFi
Frequency bands	2400 MHz
Bandwidth	-
Gain	2.3 dBi
VSWR	<2.0:1
Impedance	50 Ohm
Directivity	Omnidirectional
Beam angle	H 360° V 30°
Polarization	Linear
Maximum input power	10 W
Power voltage	-
Dimensions	90°: 68.5 x 26.4 x 9.3; 180°: 85.5 x \varnothing 9.3 mm
Weight	10.96 g
Operating temperature	-20 to +60 °C
Execution	External
Method of attachment	Connector Mount
Cable type	-
The cable length	-
Connector type	SMA-RP(f)

DRAWING



S11 Log Mag 10.00dB/ Ref 0.000dB [F1]



Frequency [MHz]	S11 [dB]	SWR
2400	-29.76	1.07
2500	-22.24	1.17

VARIANTS

AW-A24G-SRPK2

Different connector variants or cable lengths are available on request.

CONTACTS

SECTRON s.r.o. Josefa Šavla 1271/12
709 00 Ostrava 9, Czech Republic

WWW.SECTRON.CZ
Tel.: +420 556 621 021