



# EG5120

robustOS Pro

Industrial Edge Computing Gateway

2 x Ethernet ports + 2 x RS232/RS485 + 2 x DI/DO

Wi-Fi, Bluetooth & GPS/GNSS (Optional)



## INTRODUCTION

Robustel's EG5120 is a new generation of industrial edge computing gateway, supporting global 5G/4G/3G/2G networks for cellular backhaul, with a fully-fledged Debian 11(bullseye) based operating system able to support thousands of existing or new ARMv8 (Raspberry Pi compatible) based applications.

EG5120 supports Docker for easy deployment of applications and benefits from 'RobustOS Pro' – Robustel's latest router operating system with enhanced cybersecurity, advanced GUI and a myriad of software features including VPNs, Smart Roaming, SMS remote control and more.

With a quad core 1.6 GHz Cortex A53 CPU and an integrated NPU of 2.3 TOPS that greatly accelerate machine learning inference, EG5120 will take the compute power to the next level, best for the edge computing and edge AI applications, can also be used as a combination of cellular router + embedded PC in all the industrial filed.

**RCMS** is Robustel's free router monitoring service that is fully compatible with the EG5120. It allows customers to see a location overview of their routers quickly and simply on a map plus features such as data usage, signal strength, current network and much more can then be viewed on a per router/gateway basis. Over-the-air updates are supported for Firmware, router configuration and Apps serving as essential "insurance" if anything was not quite right during deployment.

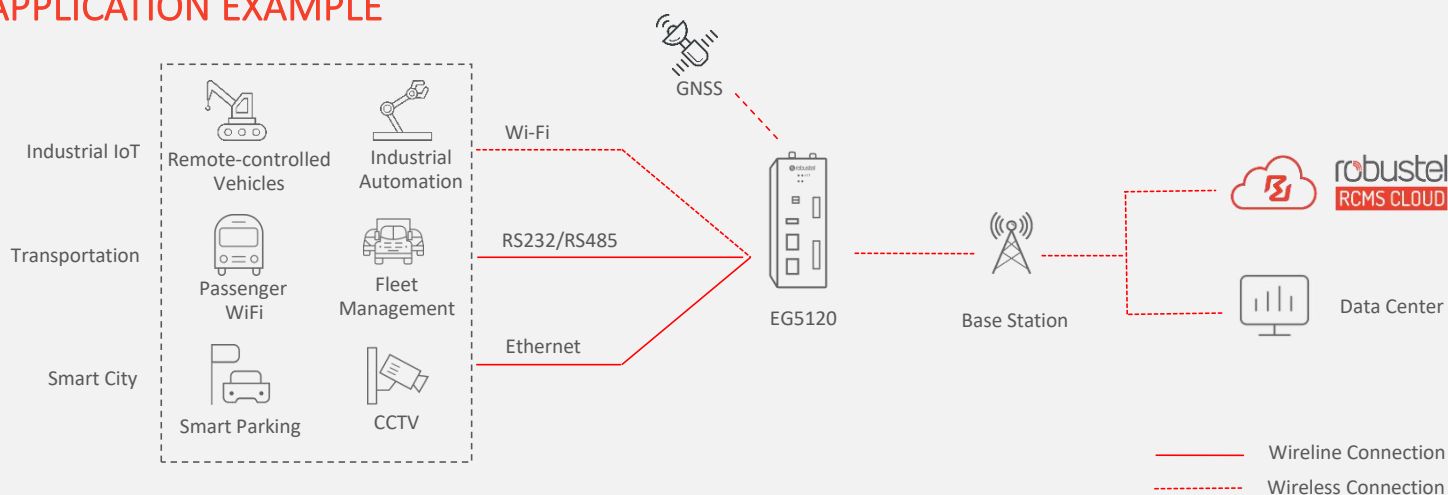
You can try Robustel's free router management platform by signing up here: <https://rcms-cloud.robustel.net>



## KEY FEATURES

- Highly stable 5G/4G/3G/2G cellular connectivity with global band coverage
- High performance compute engine with 1.6 GHz CPU + 16 GB eMMC Flash for running complex applications
- 'Docker' containerisation supported
- Cutting-edge (Release 16) 5G interface
- 802.11ac Wi-Fi (optional) supporting AP and Client modes
- Bluetooth (optional), Bluetooth 5.2 compliant
- 2 x RS232/RS485 (software configurable) ports for connection to industrial/legacy devices
- 2 x DI & 2 x DO for simple monitoring and control
- Dual SIM card slots for redundant communications
- Wide Operating Temperature range for industrial applications
- Full Modbus TCP and Modbus RTU support including MQTT transfer to mainstream cloud platforms
- Supports C, C++, Java, Python, Node.js etc. for users to develop their own applications
- More than 50,000 applications from Debian repository currently available
- Wireguard/IPsec/OpenVPN/GRE/L2TP/PPTP/DMVPN + more VPN options
- Supports RCMS – Robustel's router/gateway management platform for effective management of large estates of devices

## APPLICATION EXAMPLE



— Wireline Connection  
 - - - Wireless Connection

# SPECIFICATIONS

<b>Hardware System</b>				<b>Bluetooth Interface (Optional)</b>	
CPU	Quad core Cortex-A53, 1.6 GHz			Number of antennas	1 (Multiplexing Wi-Fi antenna)
NPU	2.3 TOPS			Connector	RP-SMA-K
RAM	2 GB DDR4			Standards	Bluetooth 2.1 and 3.0+Enhanced Data Rate (EDR) + Bluetooth 5.2
Flash	16 GB eMMC			<b>Others</b>	
<b>Cellular Interface</b>				SD	1 x microSD
Version	4G                      5G			Reset button	1 x RST
Number of antennas	2                          4			USB	1 x USB 3.0 (host), Type A, 5V 900mA
Connector	SMA-K			LED indicators	1 x RUN, 1 x MDM, 1 x USR, 1 x Signal
SIM	2 x Mini SIM (2FF)			Watchdog	External
<b>GNSS Interface (Optional)</b>				<b>Software (Basic features of RobustOS Pro)</b>	
Version	4G                      5G			Network protocols	PPP, PPPoE, TCP, UDP, DHCP, ICMP, NAT, HTTP, DNS, NTP, SMTP, Telnet, VLAN, HTTPs, DNS, ARP, NTP, SMTP, Telnet, VLAN, SSH2, DDNS, etc.
Number of antennas	1                          Optional, requires a 4-in-1 Combo Antenna			VPN tunnel	IPsec, OpenVPN, GRE
Connector	SMA-K			Firewall	DMZ, anti-DoS, Filtering (IP/Domain name/MAC address), Port Mapping, Access Control
Technology	GPS			Remote management	Web, CLI, SMS
<b>Ethernet Interface</b>				Serial port	Transparent, TCP Client/Server, UDP, Modbus RTU Gateway
Ports	2 x RJ45, 10/100/1000Mbps, compliance with 1000BAST-T, LAN or WAN			Others	Smart Reboot, Data Guard, Smart Roaming
Magnet isolation protection	1 KV			<b>SDK</b>	
<b>Serial Interface</b>				Operating System	RobustOS Pro (Based on Debian 11(bullseye))
Type	2 x RS232/RS485 (software configurable)			Supported programming languages	C, C++, Python, Java, Node.js etc. (for users to develop own applications)
Connector	6-pin 3.5 mm terminal block with lock			Debian Repository available	
ESD protection	8 KV Air, 4 KV Contact			Flash available for SDK	14 GB
Baud rate	300 bps to 115200 bps			RAM available for SDK	1.5 GB
Signal	RS232: TXD, RXD, GND    RS485: Data+ (A), Data- (B), GND			<b>App Center (Available Apps for RobustOS Pro)</b>	
<b>DI/DO Interface</b>				Apps*	L2TP, PPTP, DMVPN, VRRP, QoS, SNMP, Language, RCMS, Dynamic route, Captive Portal, Modbus Master, etc.
Ports	2 x DI + 2 x DO, wet contact			<i>*Request on demand. For more Apps please visit <a href="http://www.robustel.com">www.robustel.com</a>.</i>	
Connector	8-pin 3.5 mm terminal block with lock (DI/DO)			<b>Power Supply and Consumption</b>	
Isolation	Bi-directional optocoupler (DI) Single directional optocoupler (DO)			Connector	2-pin 3.5 mm terminal block with lock
Absolute maximum VDC	+ 30V DC			Input voltage	9 ~ 60V DC
Absolute maximum ADC	100 mA			Power consumption	Idle: 5W Data link: 20W (peak)
Signal definition	DI1+, DI1-, DI2+, DI2-, DO1+, DO1-, DO2+, DO2-			<b>Physical Characteristics</b>	
<b>Wi-Fi Interface (Optional)</b>				Ingress protection	IP30
Number of antennas	2			Housing & Weight	Metal, 567 g
Connector	RP- SMA-K			Dimensions	49 x 105 x 128 mm
Standards	802.11 a/b/g/n/ac, 2 x 2 MIMO, supports AP and Client modes			Installations	Desktop, wall mounting and 35 mm DIN rail mounting
Frequency bands	2.412 - 2.484 GHz (2.4 GHz ISM band) 4.915 - 5.925 GHz (5 GHz ISM band)			Operating temperature	-40 ~ +70 °C
Security	WEP 64-bit and 128-bit encryption with H/W TKIP processing WPA/WPA2 (Wi-Fi Protected Access) AES-CCMP hardware implementation as part of 802.11i security standard			Storage temperature	-40 ~ +85 °C
Data rate	802.11n: up to 300 Mbps - 2 x 2 MIMO 802.11ac: up to 866.7 Mbps (80 MHz channel)			Relative humidity	5 ~ 95% RH
				<b>Regulatory and Type Approvals (*In progress)</b>	
				Environmental	RoHS2.0*

# ORDERING INFORMATION

Model	PN	Wi-Fi + BLE	Cellular	GPS	Frequency Bands*	Country/Region	Certification (*In progress)
EG5120-A2AAZ-4L-A06GL	B090702	-	✓	✓	4G: LTE FDD: B1/B2/B3/B4/B5/B7/B8/B12/B13/B18/B19/B20/B25/B26/B28 LTE TDD: B34/B38/B39/B40/B41 3G: WCDMA: B1/B2/B4/B5/B6/B8/B19 2G: GSM: B2/B3/B5/B8	Global	CE* RCM*
EG5120-A2CAZ-4L-A06GL	B090704	✓	✓	✓	5G: NR SA/NSA: n1/n2/n3/n5/n7/n8/n12/n13/n14/n20/n25/n26/n28/n29/n30/n38/n40/n41/n48/n66/n71/n75/n76/n77/n78/n79 4G: LTE FDD: B1/B2/B3/B4/B5/B7/B8/B12/B13/B14/B17/B18/B19/B20/B25/B26/B28/B29/B30/B32/B66/B71 LTE TDD: B34/B38/B39/B40/B41/B42/B43/B48 LAA: B46 (only supports 2 x 2 MIMO) 3G: WCDMA: B1/B2/B4/B5/B8/B19		
EG5120-A2AAZ-5G-A25GL	B090701	-	✓	✓			
EG5120-A2CAZ-5G-A25GL	B090703	✓	✓	✓			
EG5120-A2ZAZ-NU	B090705	-	-	-	-		
EG5120-A2EAZ-NU	B090706	✓	-	-	-		

\*For more information about frequency bands in different countries, please contact your Robustel sales representative.